

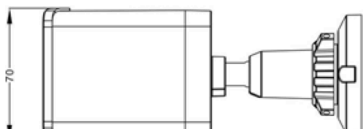
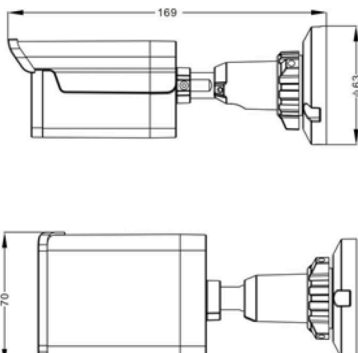
# BSUBFM30/4.0IP/AMZ 4MP Network IR Mini Bullet



## Key features

- 1/3" Progressive Scan CMOS
- 3.6mm,6mm optional
- 4MP@15fps,3MP@20fps,1080P@30fps
- Triple Streams
- IR Range 20-30m
- Smart IR
- Low bitrate ,Excellent low light performance
- 3D DNR,dWDR,ICR
- ROI,Defog,HLC,Corridor mode,DIS

## Dimension



## Accessories



CBK633

## Specifications

CAMERA	
Image Sensor	1/3" Progressive Scan CMOS
Min. illumination	Color 0.01Lux(AGC ON);IR ON 0 Lux
Day & Night	ICR
Shutter Speed	1/5-1/20000
Auto Iris	Fixed
Wide Dynamic Range	dWDR
Digital Noise Reduction	2D/3D
Lens	3.6mm,6mm optional
FOV	75°
IR LED	2pcs
IR Range	20-30m
IMAGE	
Video Compression	H.264 High/Main/Baseline Profile, MJPEG
Bit Rate (CBR/VBR)	Main stream:500kb-12000kb ;Sub stream 100kb-6000kb
Audio Compression	G.711 ,RAW_PCM
Max.Resolution	2688*1520/2560*1440/15fps,2304*1296/20fps,1920x1080/30fps
Stream	Stream1 2688*1520/2560*1440/2304*1296/1920x1080 Stream 2 720p to QVGA
Image Setting	Rotate Mode,Saturation,Brightness,Contrast,Sharpness
HLC	Yes
9:16 Corridor mode	Yes
DIS	Auto
ROI	Yes
Defog	Yes
NETWORK	
Network Protocols:	HTTP,HTTPS, TCP/IP, UDP/IP, RTSP, DHCP, NTP, PPOE, Unicast and Multicast supported.
Alarm Trigger	Motion Detection,Networkdisconnect,Disk alarm
RTSP Video	Standard RFC2326, Support QuickTime / VLC Player.
Security	User security authentication, Reset, Hardware WatchDog
Web Language	English, Chinese,Polish, Italian, Portuguese, Spanish.
System Compatibility	Onvif,CGI
INTERFACE	
Ethernet	1 Ethernet (10/100 Base-T) RJ-45 Connector
Audio I/O	N/A
Alarm I/O	N/A
RS485	N/A
BNC Output	N/A
Reset Button	Yes
Edge Storage	N/A
GENERAL	
Power Supply	DC12V/POE
Power Consumption	2.5W(IR LED OFF) ; 5W (IR LED ON)
Operating Temperature	-20°C~+55°C
Operating Humidity	0% - 90% RH
Ingress Protection	IP66
Approvals	CE / FCC
Product Dimensions	169(W) × 70(H) × 60(D)
Product Weight	631g